



272 XP 268

Spare parts

Ersatzteile

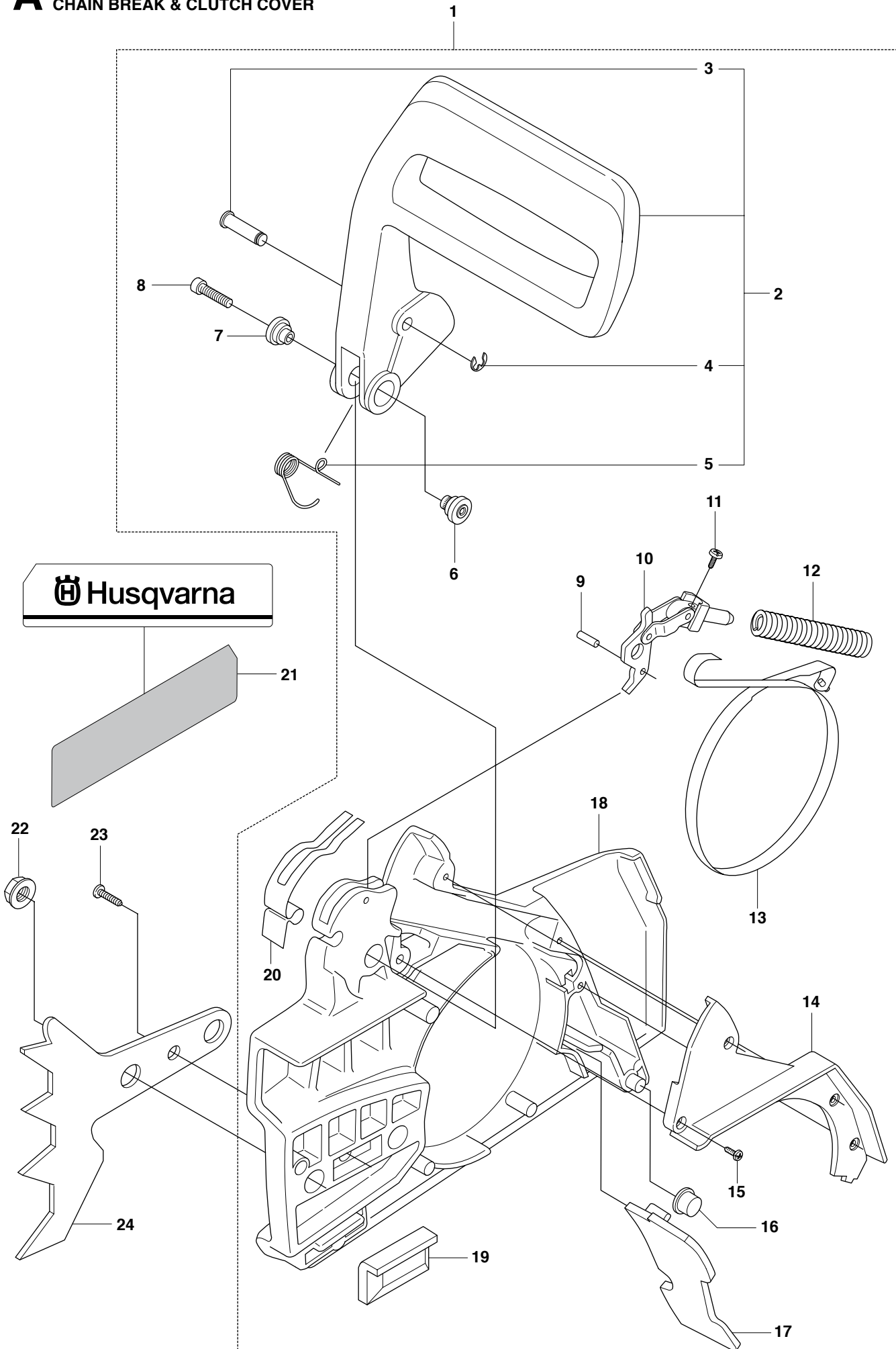
Pièces détachées

Reserve onderdelen

Repuestos

Reservdelar

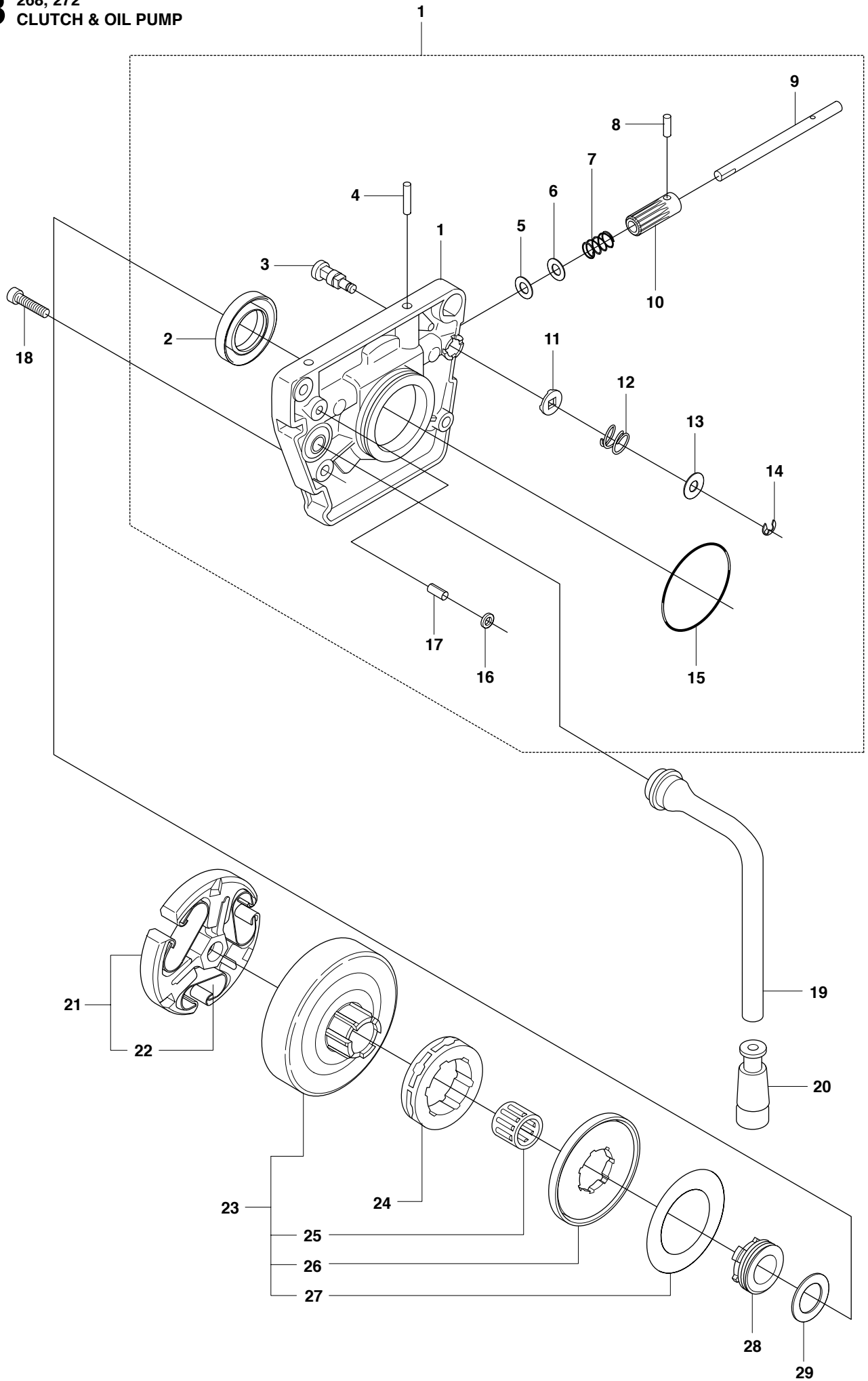
A 268, 272
CHAIN BREAK & CLUTCH COVER



CHAIN BREAK & CLUTCH COVER

Position	Article	Quantity	Notes	Kit
1	503 73 66-01	1		
2	503 72 74-01	1		1
3	503 80 27-01	1		2, 1
4	735 31 08-20	1		2, 1
5	506 16 48-01	1		2, 1
6	503 52 08-01	1		1
7	501 76 80-01	1		1
8	503 20 26-16	1		1
9	720 12 33-51	1		1
10	501 87 53-03	1		1
11	503 21 28-10	1		1
12	503 70 99-01	1		1
13	503 70 40-02	1		1
14	503 70 47-01	1		1
15	503 21 28-10	4		1
16	503 72 31-01	1		1
17	503 73 05-01	1		1
18	503 70 46-01	1		1
19	501 51 72-01	1		1
20	501 87 47-01	1		1
21	503 76 81-01	1		
22	503 22 00-01	2		
23	725 53 27-55	1		
24	503 59 07-01	1		

B 268, 272
CLUTCH & OIL PUMP

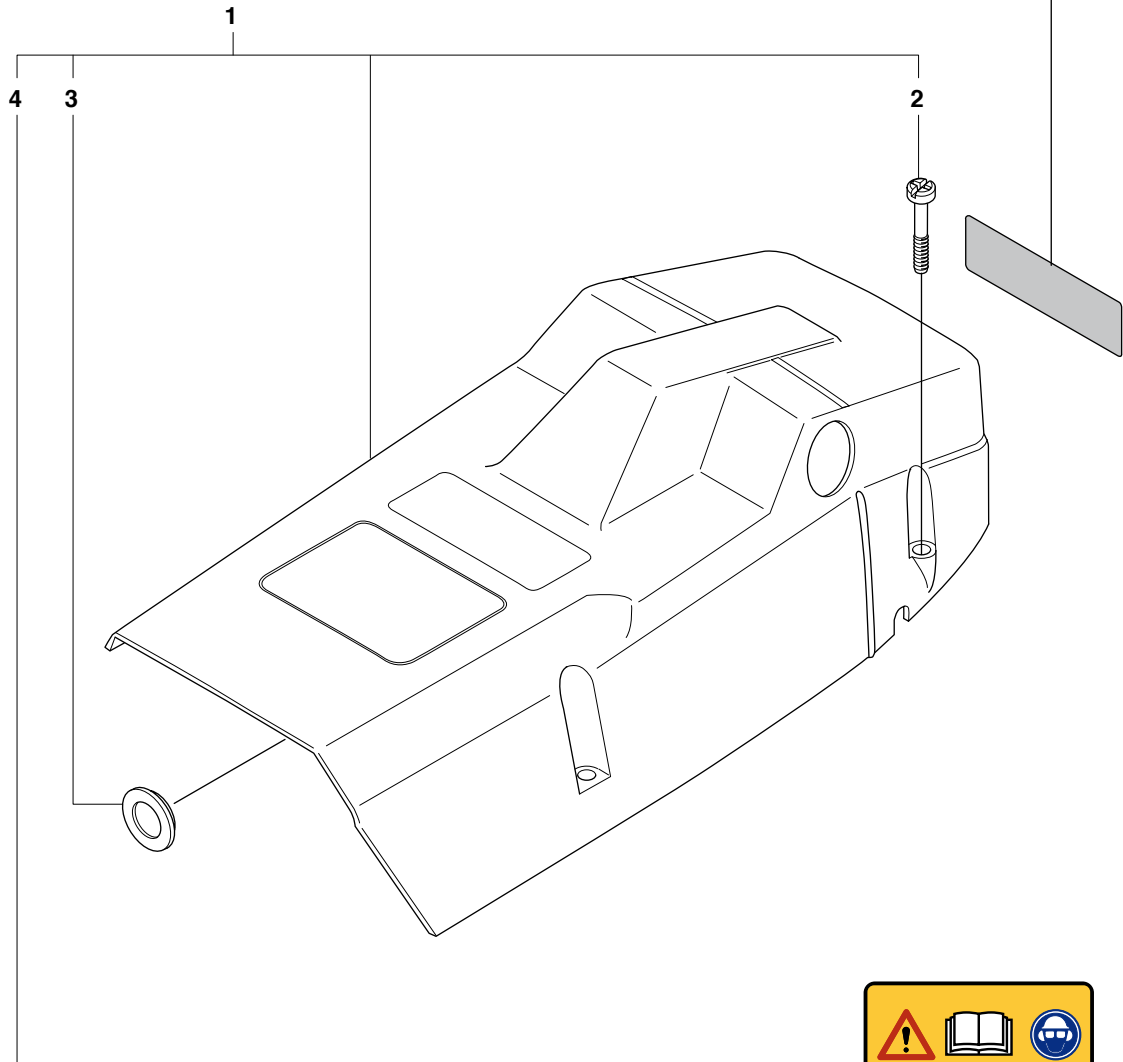


Page B		268, 272		CLUTCH & OIL PUMP	
Position	Article	Quantity	Notes	Kit	
1	501 51 25-01	1			
2	503 26 02-04	1		1	
3	501 51 36-01	1		1	
4	720 12 37-50	1		1	
5	503 23 10-01	1		1	
6	503 23 00-16	1		1	
7	501 51 34-01	1		1	
8	501 51 33-01	1		1	
9	501 51 32-01	1		1	
10	501 51 31-01	1		1	
11	501 51 37-01	1		1	
12	501 51 39-01	1		1	
13	734 48 48-01	1		1	
14	735 31 07-20	1		1	
15	740 42 21-00	1		1	
16	501 28 85-01	1		1	
17	721 42 03-25	1		1	
18	725 52 93-56	3			
19	501 51 99-01	1			
20	501 54 41-02	1			
21	503 74 44-02	1			
22	537 36 06-01	3		21	
23	501 83 15-03	1	3/8"x8		
23	501 83 15-04	1	3/8"x7		
24	505 30 36-61	1	3/8"x8		
24	501 59 80-02	1	3/8"x7		
25	503 25 34-01	1		23	
26	501 83 17-01	1		23	
27	501 53 59-01	1		23	
28	501 51 38-01				
29	503 23 00-13				

C 268, 272
COVER

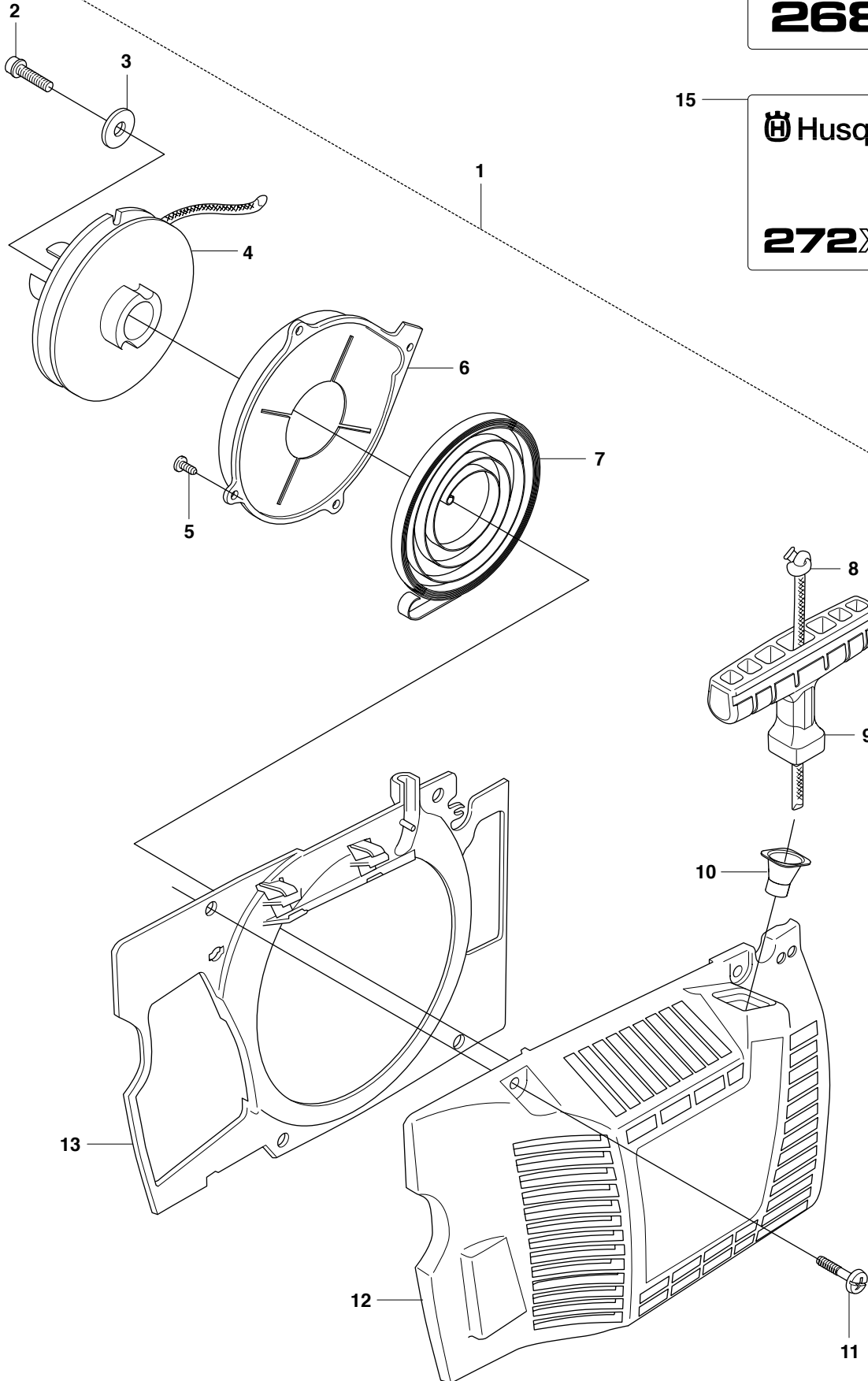
5 **272XP**
Husqvarna

6 **268**
Husqvarna



Page C		268, 272		COVER	
Position	Article	Quantity	Notes	Kit	
1	503 40 60-02	1			
2	503 20 32-28	4		1	
3	503 40 59-01	1		1	
4	503 98 74-01	1		1	
5	503 66 28-11	1			
6	503 66 28-10	1			

D 268, 272
STARTER



14
Husqvarna

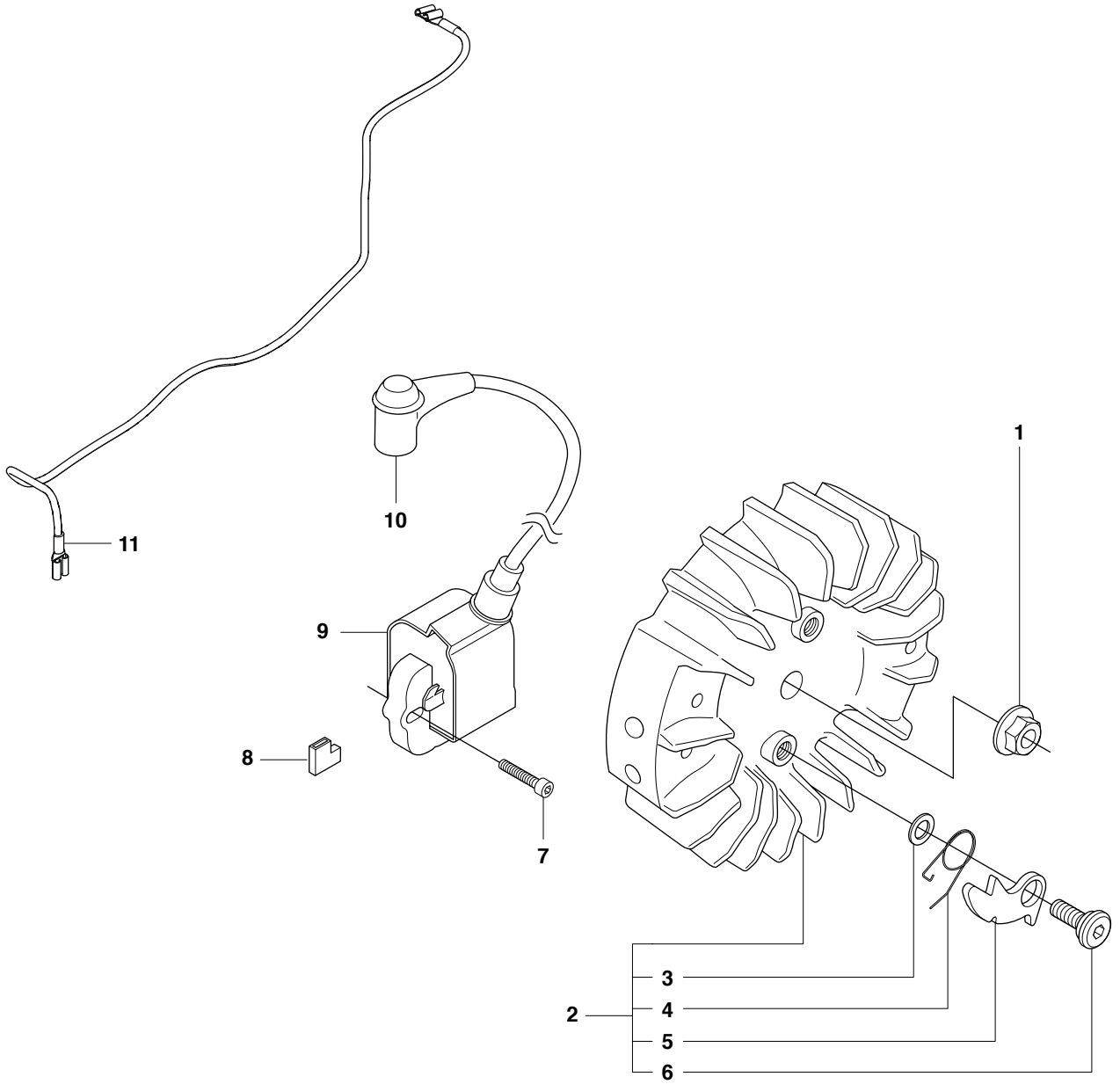
268

15
Husqvarna

272XP

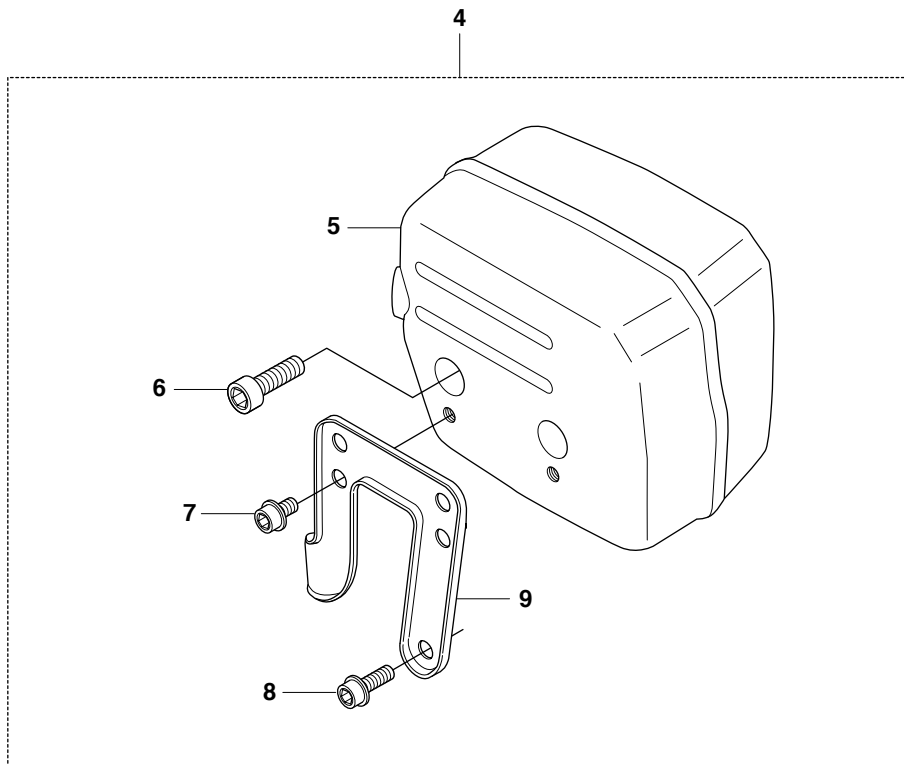
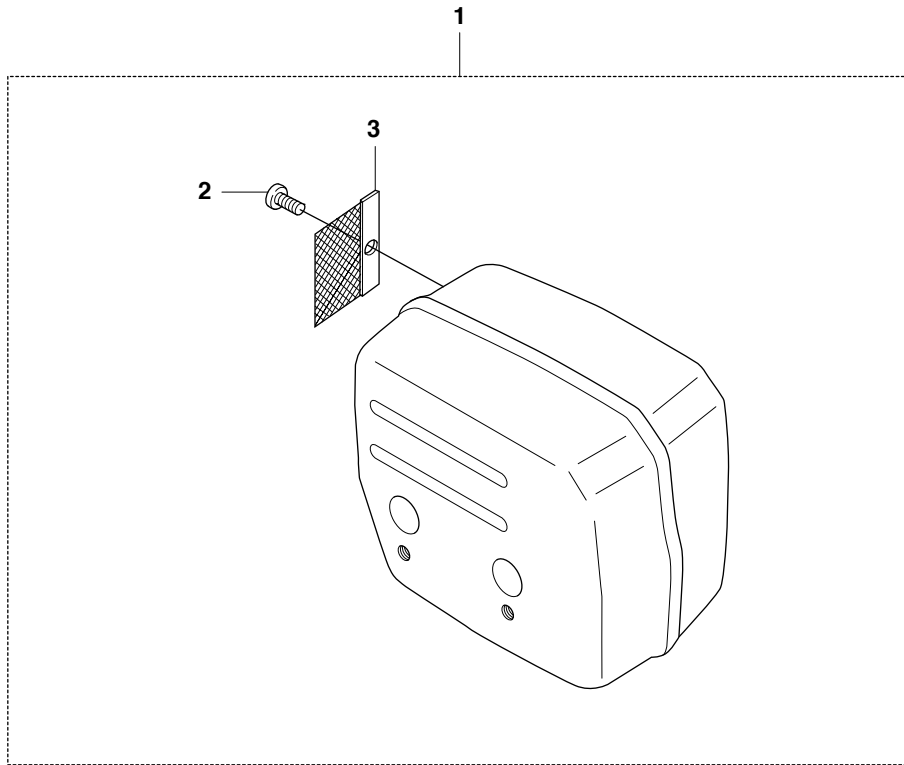
Position	Article	Quantity	Notes	Kit
1	503 61 55-71	1		
2	503 21 49-16	1		1
3	503 23 43-02	1		1
4	503 10 24-05	1		1
5	503 21 28-06	2		1
6	501 52 95-02	1		1
7	501 52 04-02	1		1
8	501 20 15-02	1		1
9	503 54 39-01	1		1
10	501 63 06-01	1		1
11	503 20 34-16	4		1
12	503 61 56-01	1		1
13	501 65 92-01	1		1
14	503 62 39-02	1		
15	503 62 39-04	1		

E 268, 272
ELECTRICAL



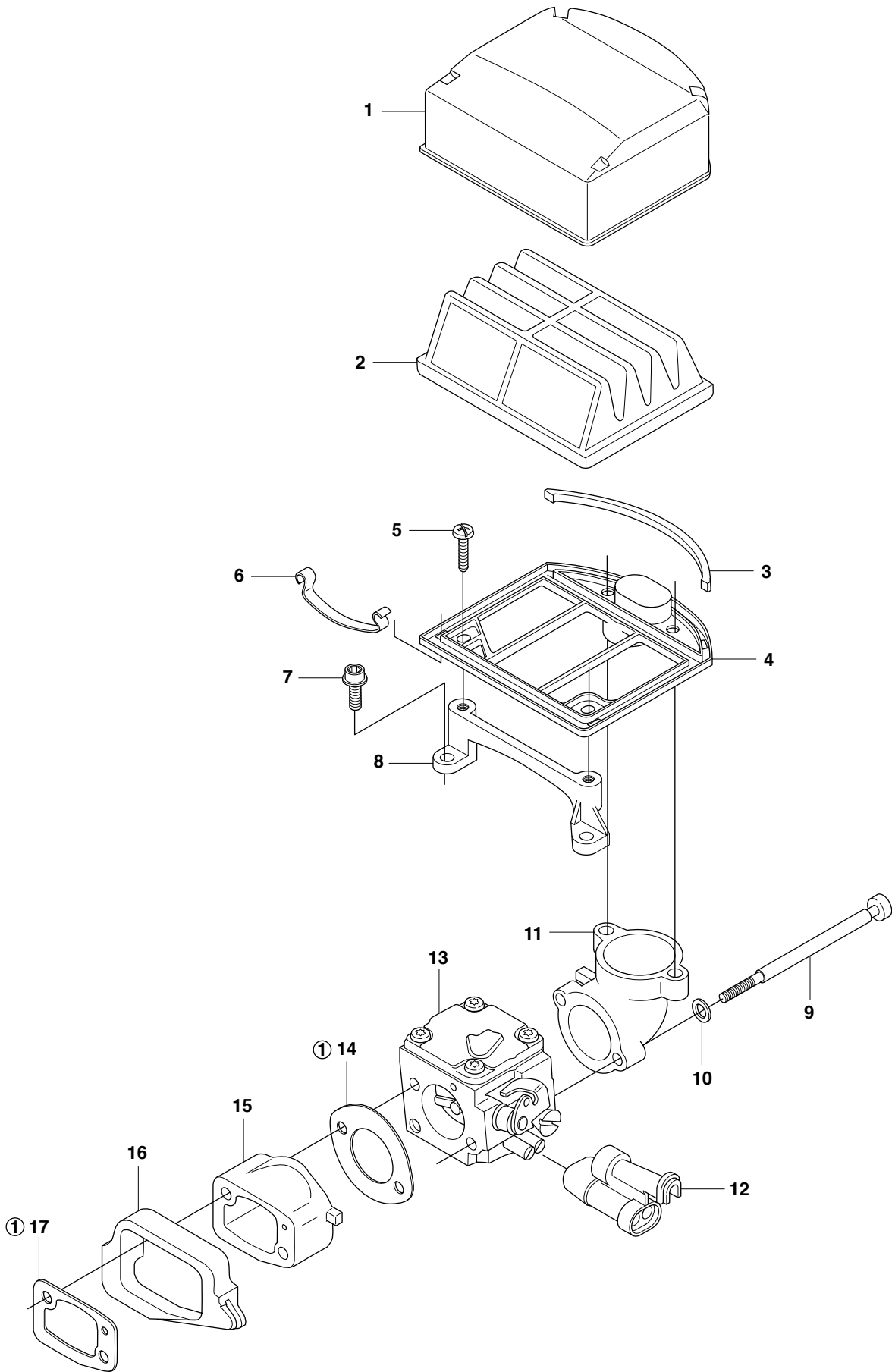
Position	Article	Quantity	Notes	Kit
1	503 22 04-01	1		
2	537 05 16-02	1		
3	501 67 35-01	2		2
4	503 23 00-42	2		2
5	501 67 32-01	2		2
6	501 81 99-01	2		2
7	503 20 25-20	2		
8	503 23 72-02	1		
9	544 01 84-01	1		
10	501 48 54-02	1		
11	501 83 98-01	1		

F 268, 272
MUFFLER



Page F		268, 272		MUFFLER	
Position	Article	Quantity	Notes	Kit	
1	503 59 92-06	1	FF		
1	503 59 92-05	1	DF		
2	724 12 87-59	1		1	
3	503 66 91-01	1		1	
4	503 40 64-02	1	DJ		
5	503 47 69-01	1	TUBE	4	
6	725 53 70-55	2		4	
7	503 20 07-10	2		4	
8	503 20 02-16	1		4	
9	503 53 59-01	1		4	

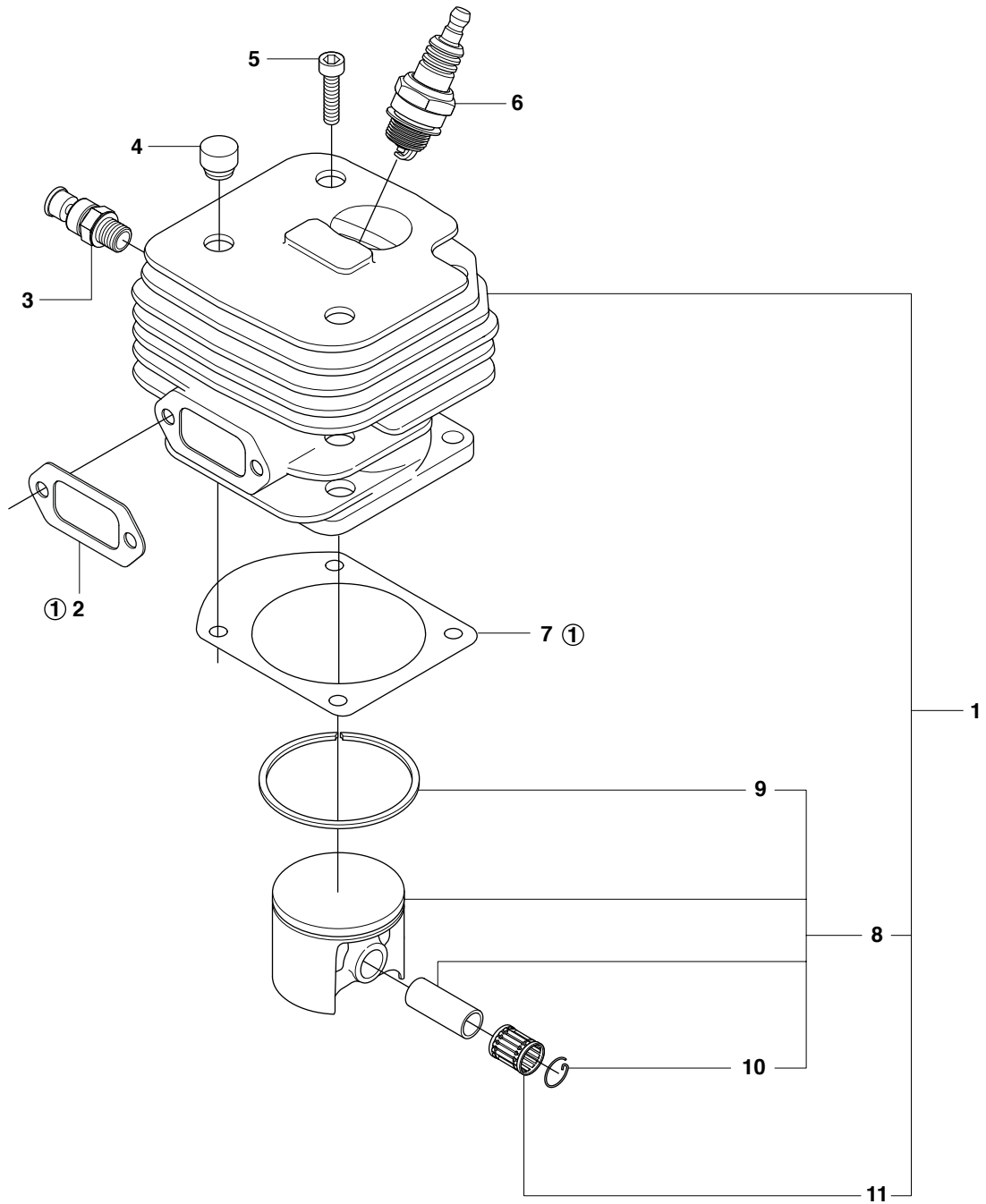
G 268, 272
CARBURETOR & AIR FILTER



CARBURETOR & AIR FILTER

Position	Article	Quantity	Notes	Kit
1	503 44 69-01	1		
2	503 44 72-01	1	80	
2	503 44 72-04	1	44	
2	503 44 72-03	1	FELT	
3	503 44 71-02	1		
4	503 44 67-01	1		
5	503 21 27-16	4		
6	503 44 68-01	2		
7	503 20 03-12	2		
8	503 44 63-01	1		
9	503 49 69-01	2		
10	734 11 46-01	2		
11	503 44 65-71	1		
12	503 44 51-01	1		
13	503 28 03-16	1	Tilotson HS 260A	
14	501 29 64-02	1		
15	501 80 66-02	1		
16	501 65 90-01	1		
17	501 80 68-03	1		

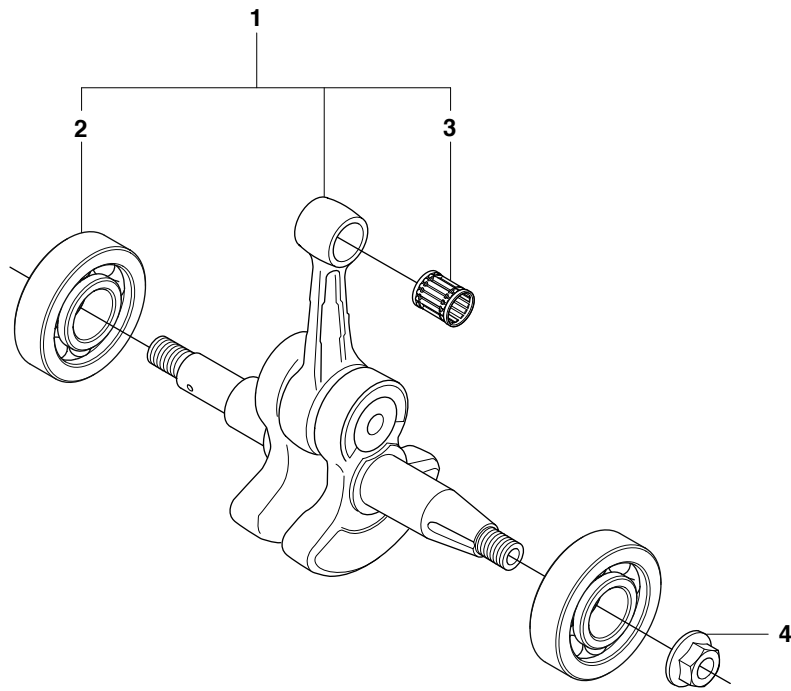
H 268, 272
CYLINDER PISTON



CYLINDER PISTON

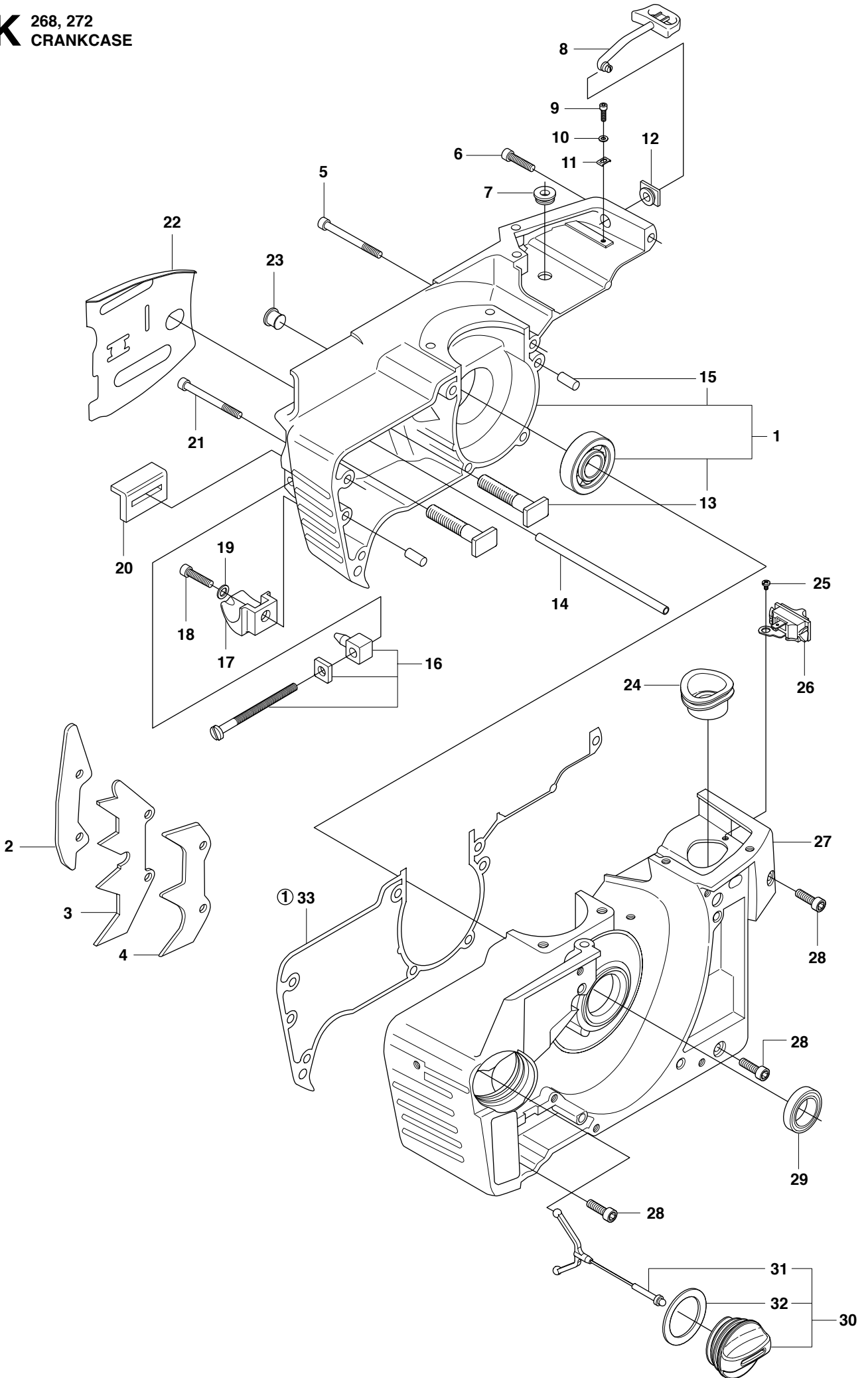
Position	Article	Quantity	Notes	Kit
1	544 22 29-02	1	268	
1	504 01 68-02	1	272	
2	503 40 54-01	1		
3	503 71 53-01	1	272	
4	501 51 54-01	1		
5	503 21 60-25	4		
6	503 23 51-08	1	RCJ 7Y	
7	501 51 22-04	1		
8	544 22 39-03	1	(AB) 268	1
8	504 01 70-02	1	(AB) 272	1
9	503 28 90-17	1	268	8, 1
9	503 28 90-19	1	272	8, 1
10	737 43 12-00	2		8, 1
11	503 73 39-01	1		1

J 268, 272
CRANKSHAFT



Page J		268, 272		CRANKSHAFT	
Position	Article	Quantity	Notes	Kit	
1	503 61 33-71	1			
2	738 22 02-25	2			1
3	503 73 39-01	1			1
4	503 22 04-01	1			

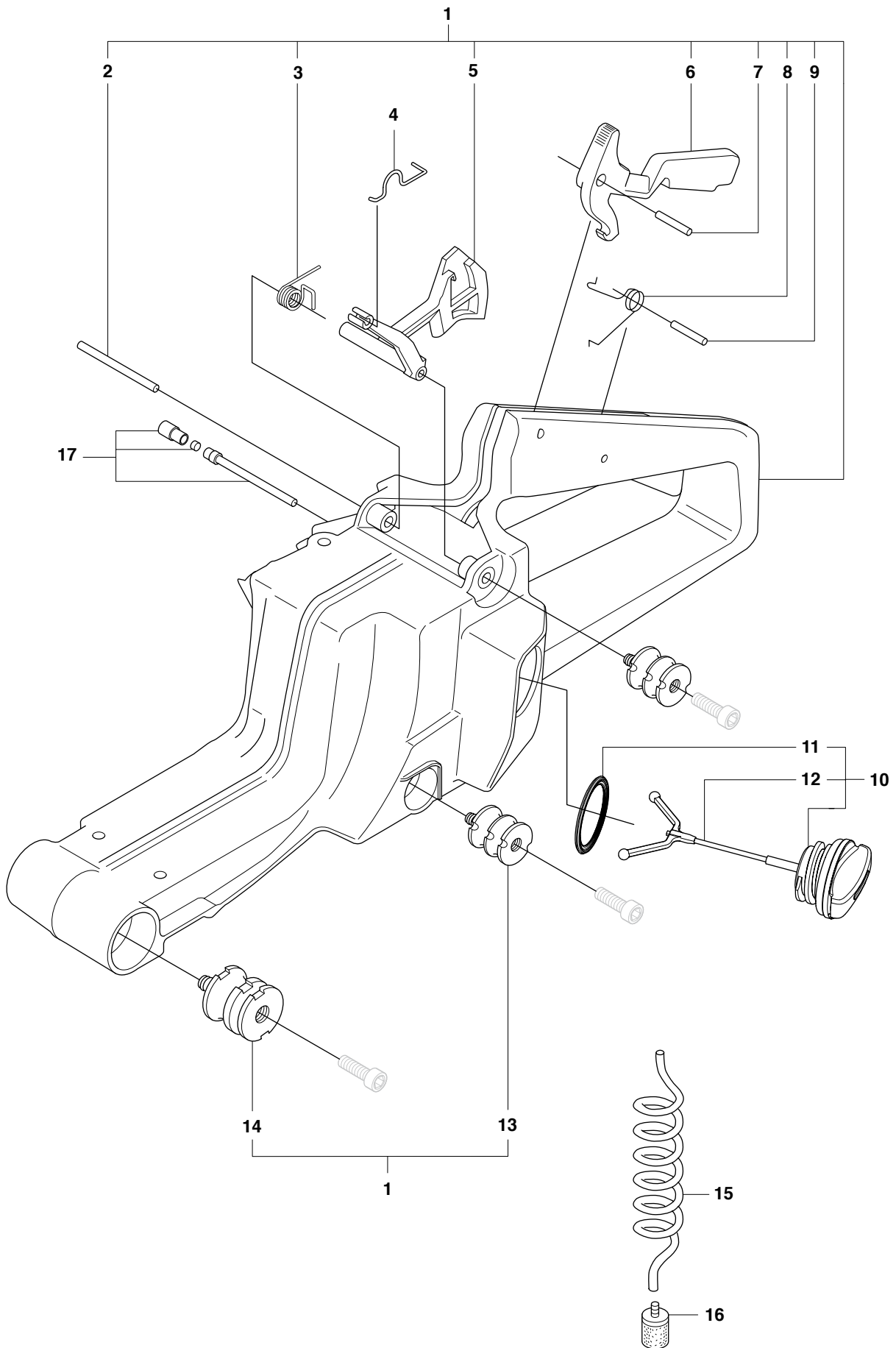
K 268, 272
CRANKCASE



CRANKCASE

Position	Article	Quantity	Notes	Kit
1	501 77 99-01	1		
2	503 44 57-01	1		
3	503 59 08-01	1		
4	501 52 81-01	1		
5	725 53 37-55	4		
6	725 53 31-55	1		
7	503 69 76-01	1		
8	501 52 79-02	1		
9	725 52 93-56	1		
10	503 23 00-01	1		
11	503 44 64-01	1		
12	501 52 78-01	1		
13	501 81 57-01	2		1
14	503 66 84-03	1		
15	720 13 07-10	2		1
16	501 53 71-01	1		
17	503 53 58-01	1		
18	725 53 27-55	1		
19	503 23 00-42	1		
20	501 51 72-01	1		
21	725 53 41-55	2		
22	501 81 48-01	1		
23	503 27 90-04	1		
24	503 44 50-01	1		
25	503 21 28-06	1		
26	503 71 79-01	1		
27	501 77 99-01	1		
28	725 53 27-55	6		
29	503 26 02-04	1		
30	501 62 66-02	1		
31	503 57 89-01	1		30
32	501 62 68-01	1		30
33	501 52 26-04	1	1 = Set of Gaskets	

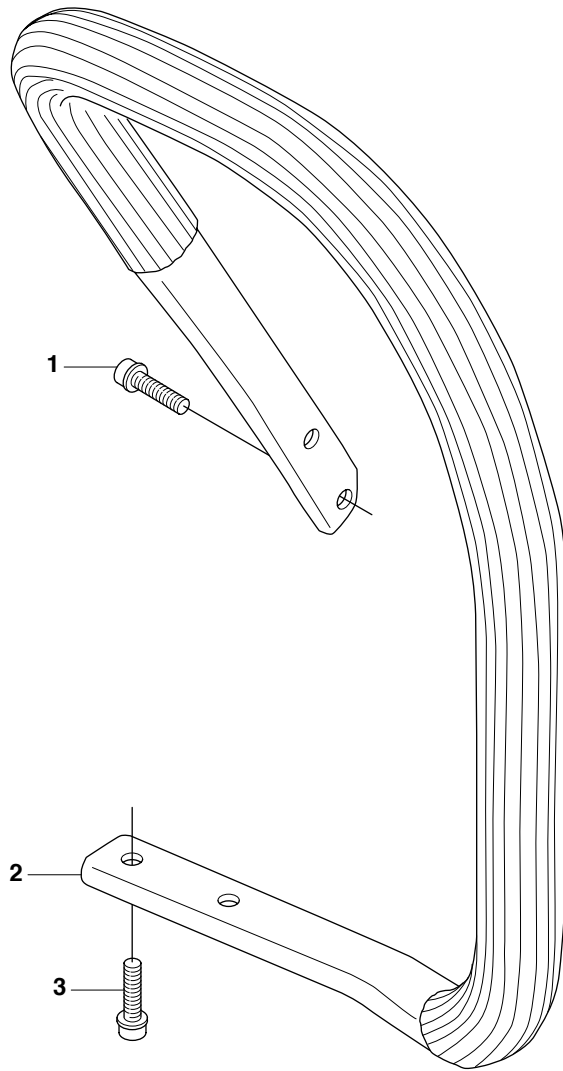
L 268, 272
HANDLE & CONTROLS



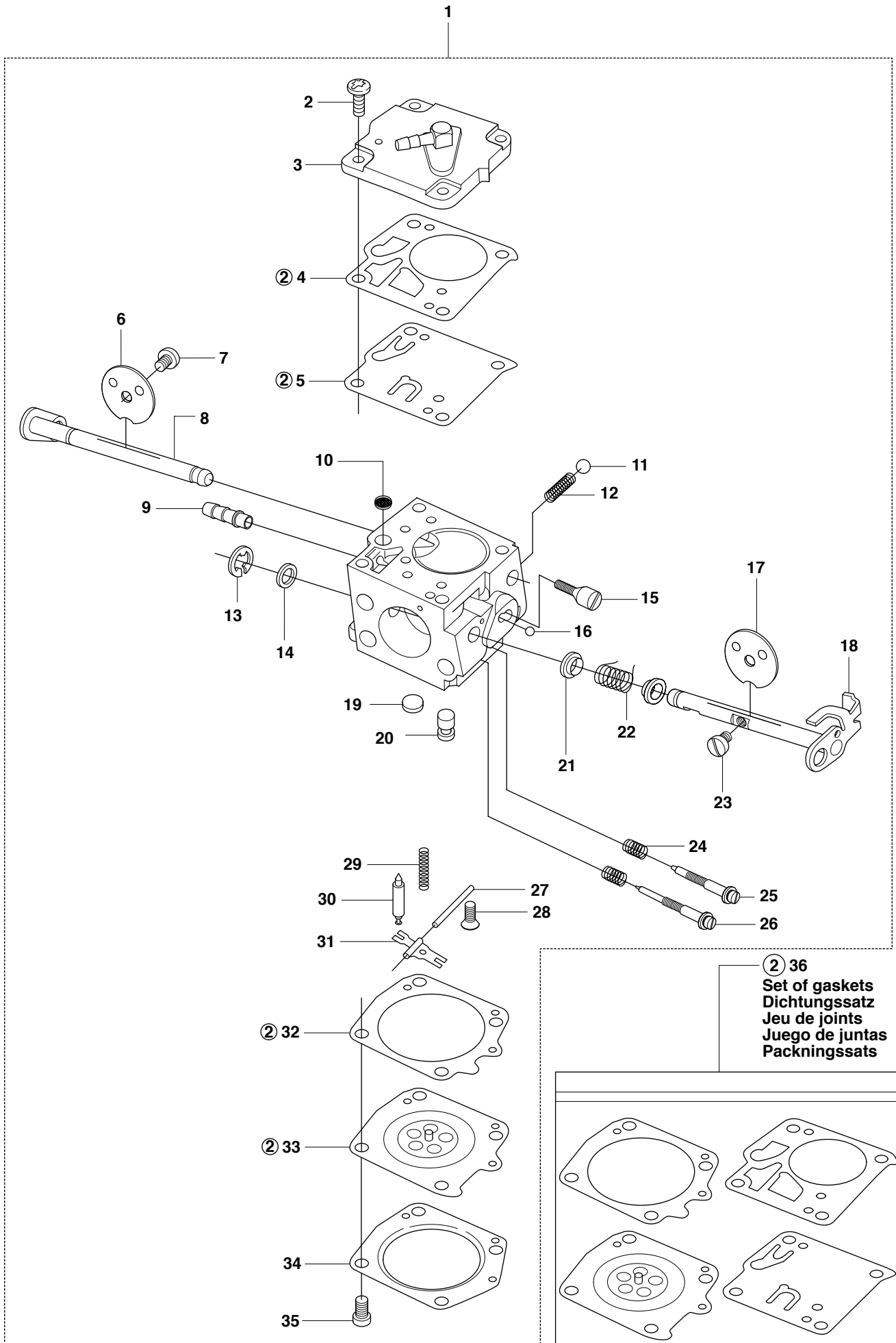
HANDLE & CONTROLS

Position	Article	Quantity	Notes	Kit
1	501 69 90-10	1		
2	501 51 97-02	1		1
3	501 52 88-01	1		1
4	503 44 58-01	1		
5	501 51 80-02	1		1
6	501 51 81-02	1		1
7	721 42 12-26	1		1
8	501 42 41-01	1		1
9	721 42 12-26	1		1
10	501 43 14-02	1		
11	501 27 82-01	1		
12	503 57 89-01	1		
13	501 77 34-01	4	SOFT	1
13	501 62 87-01	4	HARD	
14	501 77 35-01	2	SOFT	1
14	501 69 94-01	2	HARD	
15	544 32 50-01	1		
16	503 44 32-01	1		
17	501 62 96-01	1		

M 268, 272
HANDLE



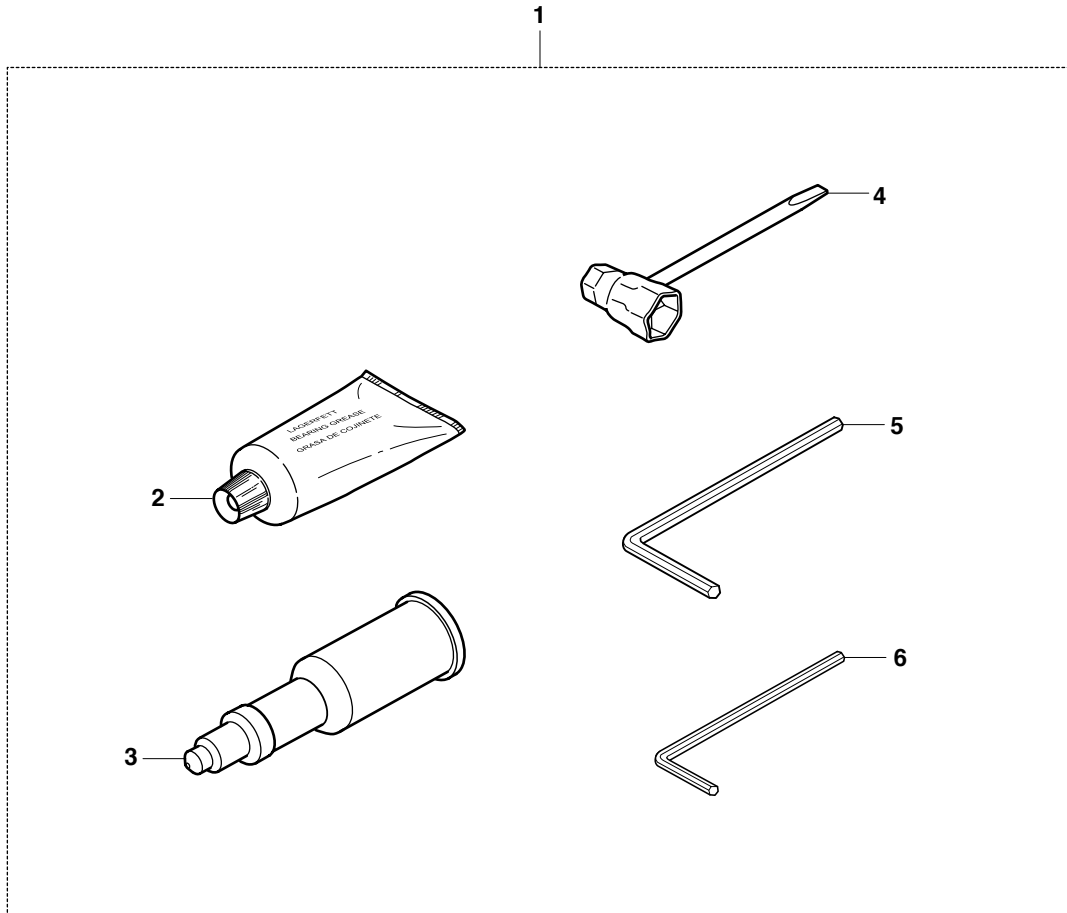
Page M		268, 272	HANDLE	
Position	Article	Quantity	Notes	Kit
1	503 21 06-22	2		
2	501 53 45-03	1		
3	503 21 06-22	2		



CARBURETOR DETAILS

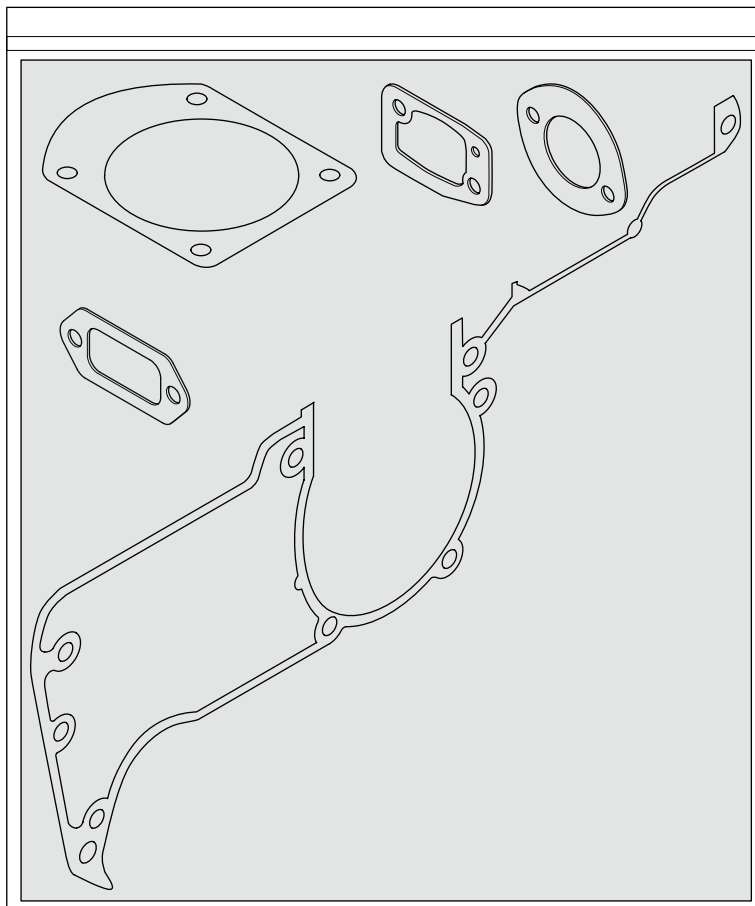
Position	Article	Quantity	Notes	Kit
1	503 28 03-16	1	Tilotson HS 260A	
2	501 22 15-01	4		1
3	501 22 14-01	1		1
4	501 22 13-01	1		1, 36
5	501 22 12-01	1		1, 36
6	502 01 22-01	1		1
7	503 65 27-01	1		1
8	503 53 37-01	1		1
9	503 53 39-01	1		1
10	503 98 82-01	1		1
11	501 22 04-01	1		1
12	501 22 05-01	1		1
13	501 82 18-01	1		1
14	501 82 17-01	1		1
15	503 57 87-01	1		1
16	503 57 86-01	1		1
17	501 69 11-01	1		1
18	503 53 32-01	1		1
19	501 22 03-01	1		1
20	503 58 09-09	1		1
21	501 42 71-01	2		1
22	505 31 66-05	1		1
23	503 65 27-01	1		1
24	501 26 90-01	2		1
25	503 59 95-01	1	High Speed	1
26	501 26 85-01	1	Low Speed	1
27	501 22 21-01	1		1
28	501 22 22-01	1		1
29	501 22 25-01	1		1
30	501 22 23-01	1		1
31	501 22 20-01	1		1
32	501 22 08-01	1		1, 36
33	501 22 09-01	1		1, 36
34	503 53 36-01	1		1
35	503 48 63-01	4		1
36	501 49 48-02	1	2 = Set of Gaskets	

P Tillbehör
Accessories
Zubehöre
Accessoires
Accesorios



Page P		268, 272		ACCESSORIES	
Position	Article	Quantity	Notes	Kit	
1	503 55 85-01	1			
2	503 62 12-01	1		1	
3	501 91 14-01	1		1	
4	501 69 17-01	1		1	
5	503 55 86-02	1	NV5	1	
6	503 55 86-01	1	NV4	1	

Q Levereras endast som reservdel
Delivery as spare part only
Nur als Ersatzteil lieferbar
Livrable seulement comme pièce de rechange
Solo como repuesto
Zasilà se jenom jako náhradní díl



1 ①
Set of gaskets
Dichtungssatz
Jeu de joints
Juego de juntas
Packningssats

Page Q		268, 272	SET OF GASKETS	
Position	Article	Quantity	Notes	Kit
1	501 52 26-04	1		